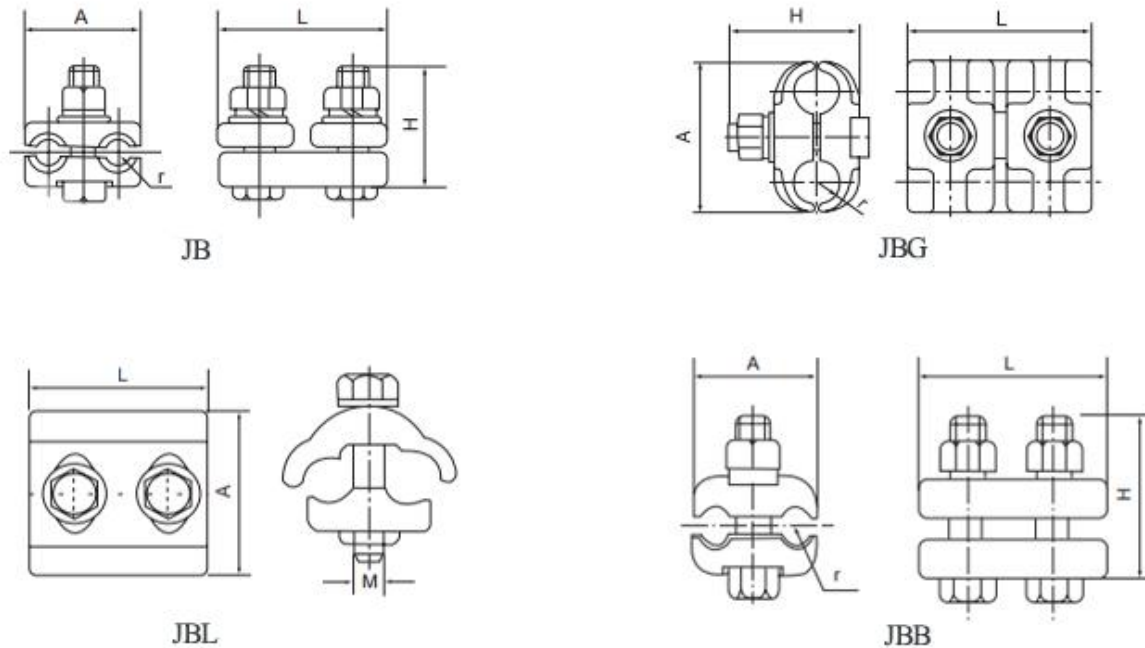


Overview

The parallel groove clamp is used for the connection of cross-section aluminum stranded wire or steel core aluminum stranded wire and the steel stranded wire of overhead lightning protection wire at a position that does not bear tension. It is also used for the jumper connection of non-linear poles. Power engineering materials (fittings) are used for interconnection of connecting wires, which are mainly used in power line engineering.


Parameter
JB Parallel Groove Clamp

Catalog No.	Conductor	Dimensions (mm)				Weight (kg)
	Area (mm ²)	A	L	r	H	
JB-0	16~ 25	38	72	3.5	42	0.2
JB-1	35~ 50	46	80	5	53	0.4
JB-2	70~95	54	114	7	65	0.7
JB-3	120~150	64	140	8.5	70	1.1
JB-4	185~ 240	72	144	11	75	1.3
JB-5	300~400	100	215	15	100	3.9
JB-6	500~600	110	230	18	120	5.1

The body and keepers are made of aluminium alloy, other parts are made of hot-dip galvanized steel.

JBG Parallel Groove Clamp

Catalog No.	Conductor	Dimensions (mm)				Weight (kg)
	Area (mm ²)	A	L	r	H	
JBG-1	16~35	45	65	5	55	0.35
JBG-2	50~70	48	68	7	64	0.6
JBG-3	95~150	58	72	8.5	74	1
JBG-4	185~240	86	152	11.5	75	1.5
JBG-5	300- 400	92	172	13.5	79	2.5

The body and keepers are made of aluminium alloy, other parts are made of hot-dip galvanized steel.

JBL Parallel Groove Clamp

Catalog No.	Suitable Conductor		Dimensions (mm)			Weight (kg)
	Run	Tap	L	A	M	
JBL-11	6.8-11.5	6.8~11.5	60	45	10	0.25
JBL-22	10.1~15.3	11.1~15.3	80	52	10	0.32
JBL-33	15.6~ 20.1	15.6~ 20.1	110	66	12	0.62
JBL-44	19.0~24.0	19~24.0	120	76	16	0.82
JBL-55	23.0-29.0	23.0- 29.0	140	86	16	1.10
JBL-12	10.1~15.3	6.8~11.5	80	50	10	0.3
JBL-23	15.6~20.1	10.1~15.3	110	58	12	0.6
JBL-34	19.0~24.0	15.6~20.1	120	72	16	0.75
JBL-45	23.0 ~29.0	19.0~ 24.0	140	86	16	1.0
JBL-24	19.0~24.0	10.1~15.3	120	66	16	0.7
JBL-35	23.0~ 29.0	15.6~20.1	140	85	16	0.9

The body and keepers are made of aluminium alloy, other parts are made of hot-dip galvanized steel.

JBB Parallel Groove Clamp

Catalog No.	Steel Wire Area (mm ²)	Dimensions (mm)				Weight (kg)
		A	L	r	H	
JBB-1	25-35	44	90	4.5	48	0.7
JBB-2	50~70	50	90	6	60	1.0
JBB-3	100-120	56	124	7	65	1.9

The body and keeper are malleable iron, hot-dip galvanized.